

EARL

Simple and deliberately understated styling is the hallmark of the Earl seating group. The carefully considered upholstered piece can be combined in a multitude of configurations to create the perfect solution for reception, waiting environments and breakout areas. Earl offers complementary coffee tables to complete any environment.



STANDARD FEATURES

(*Selected models only)

- Traditional carcass construction*
- Fitted back cushions
- Fully upholstered
- MFC top*
- Square tubular frame*

OPTIONAL FEATURES

- Two-tone upholstery*
- Choice of finish option available
- see finish page

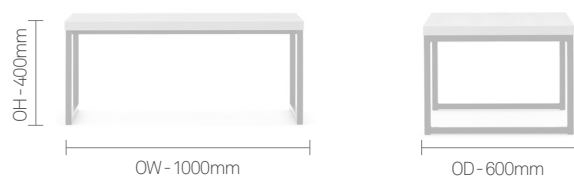
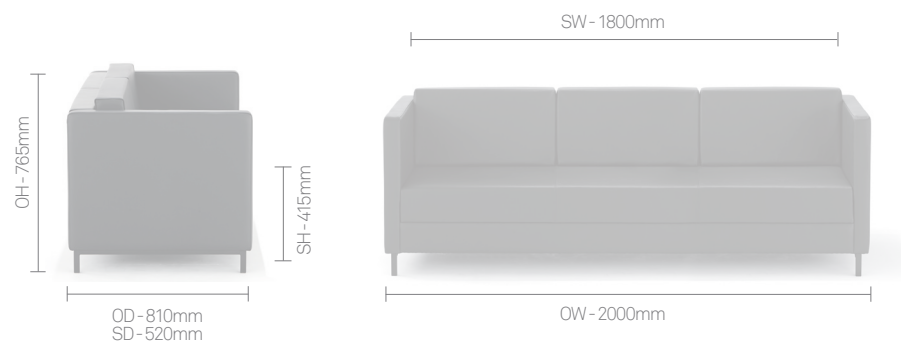
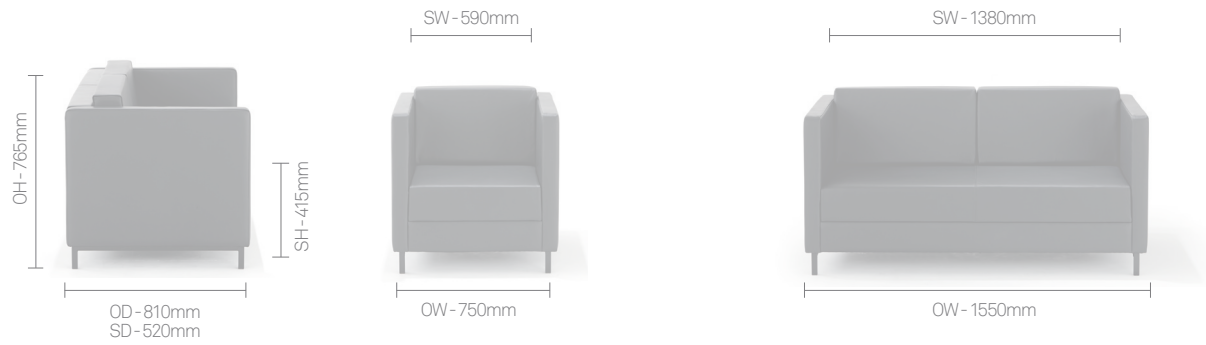
OPTIONS

Earl is available as a one, two or three seat with a range of coffee tables.



DIMENSIONS

OH-Overall Height OD-Overall Depth OW-Overall Width AH-Arm Height BH-Back Height SH-Seat Height SW-Seat Width SD-Seat Depth



FINISH OPTIONS

- Square tubular frame available in Black, White or Silver powder coat
- MFC tops are available in Maple, Highland Oak, Beech, Winter Oak or White
- Earl can be upholstered in a broad range of contract upholstery fabrics, leathers and vinyls from The Senator Group standard upholstery collection

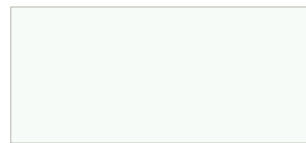
Frame Finishes



Black (Powder Coat)



Silver (Powder Coat)



White (Powder Coat)

MFC Finishes



Maple



Highland Oak



Beech



Winter Oak

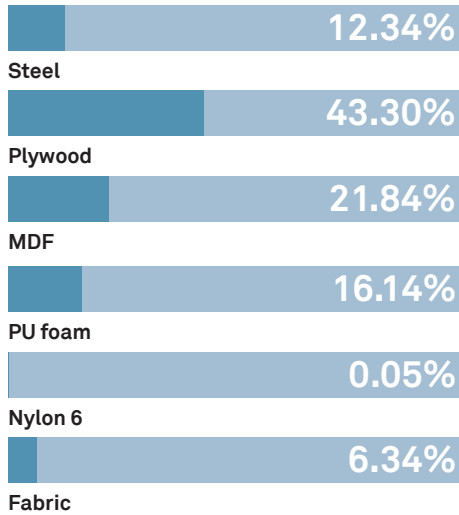


White

ENVIRONMENTAL

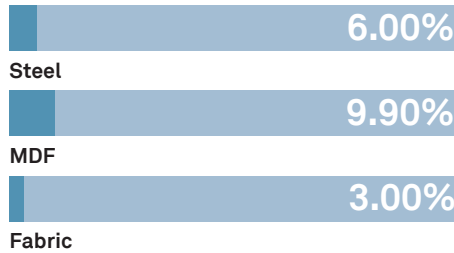
Material Content

Components are constructed of the following



Recycled Content

Contains up to 18.90% of Recycled Material



Recyclability

The range is 99% recyclable

99%

Environmental information for this range has been based on ERL1. For more detail please refer to individual EPA sheets.

THE SENATOR GROUP 3 R'S

The Senator Group is committed to continually improving the sustainability of all environmental aspects within our business.

To meet both international standards and our own environmental targets we apply the three R's principle

-Reduce, Reuse and Recycle.

Whilst recycling is the element which receives the most exposure it is actually the last option available and should never be the prime target in anyone's battle to reduce waste.

It is our duty as individuals and as a company to initially attempt to **Reduce** usage. Then we should look to **Reuse** wherever possible and finally, only after these two processes have been exhausted, should we consider **Recycling**.

-Reduce
-Reuse
-Recycle