

A range of workstations and meeting tables designed to ensure users are not overwhelmed or distracted from the task in hand. This range embodies a balance between practicality and affordability, ensuring it meets the evolving challenges of today's modern work environments.



Features

Standard Features

- Slim Steel tube legs with mitre joint end frame
- Shadow gap between top and frame
- Universally sized steel crossrail
- Levelling feet
- Scalloped cable access
- 25mm MFC rectangular top

Complementary Options

- Fabric wrapped screens
- Monitor arms
- Cable management

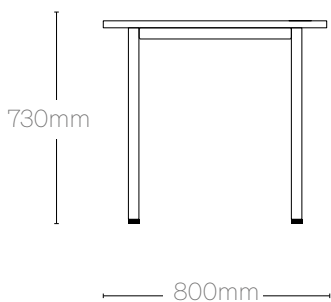
Performance Standards

This product has been designed to conform to the following standards and has been tested for type approval.

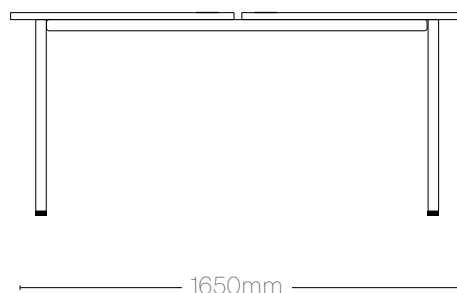
- BS EN 527-2: 2016 + A1:2019
- BS EN 527-1:2011
- BS EN ISO 9241-5:1999

Dimensions

In-Line



Back to Back



In-Line Desk Tops

Rectangular Tops
Widths. 1200-1800mm
Depth. 800mm



1 Person



2 Person In-Line



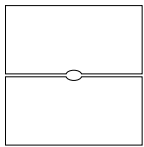
3 Person In-Line



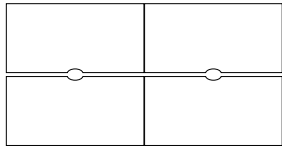
4 Person In-Line

Back to Back Desk Tops

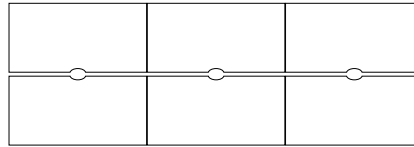
Rectangular Tops
Widths. 1200-1800mm
Depth. 1650mm



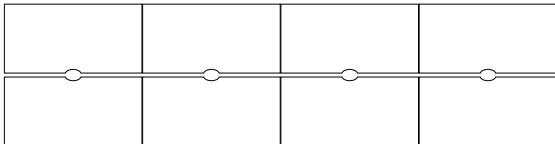
2 Person Back to Back



4 Person Back to Back



6 Person Back to Back



8 Person Back to Back

Finishes

MFC finishes



White



Strata Oak



Winter Oak



Urban Maple



Greige Castello
Oak



Dark Rockford
Hickory



Light Grey

Metalwork finishes



Silver



White



Black