

Freeway is a range of desking that offers a simple yet practical working solution. This versatile range gives a strong clean image in a crisp design which delivers intelligent results. Freeway Bench is available to order as set configurations or standalone, in-line or back to back benches for ease of specifying or alternatively Freeway can be ordered as individual components for added configurability.



Features

Standard Features

- Height adjustable Steel frame
- Levelling adjustment
- Scalloped cable access
- 25mm MFC rectangular tops
- Electric Operation

Optional Features

- Single or back to back
- Complementary Options
- Universal screens
- Cable trays and risers
- Monitor arms
- PU Desk accessories
- Desk top accessories
- CPU holders
- Electrical accessories
- Choice of finish options available
– see finish page

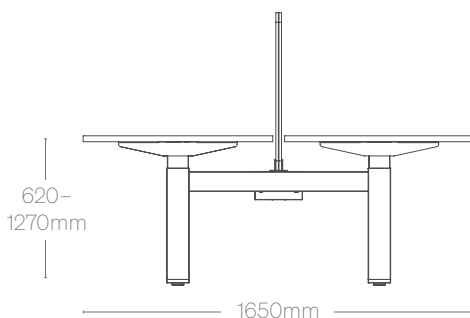
Performance Standards

This product has been designed to conform to the following standards and has been tested for type approval.

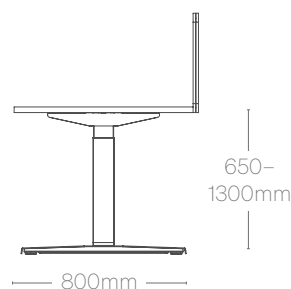
- BS EN 527-2:2016
- BS EN 527-1:2011
- BS EN ISO 9241-5:1999

Dimensions

Back to back bench



Single / In-line desk



In-line



1 Person in line
Widths. 1200–2000mm
Depth. 800mm

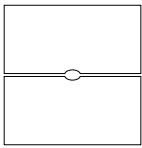


2 Person in-line

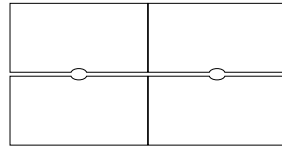


3 Person in-line

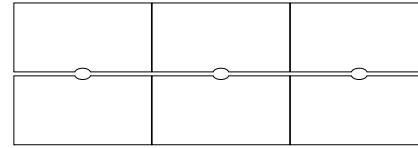
Back to back



2 Person back to back
Widths. 1200–2000mm
Depth. 1650mm



4 Person back to back



6 Person back to back

Finishes

MFC finishes



White



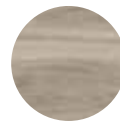
Strata Oak



Winter Oak



Urban Maple



Greige Castello
Oak



Dark Rockford
Hickory



Light Grey

Metalwork finishes



Black
(Powder Coat)



White
(Powder Coat)



Silver

Contrasting edge tape



Ply Effect Edging